

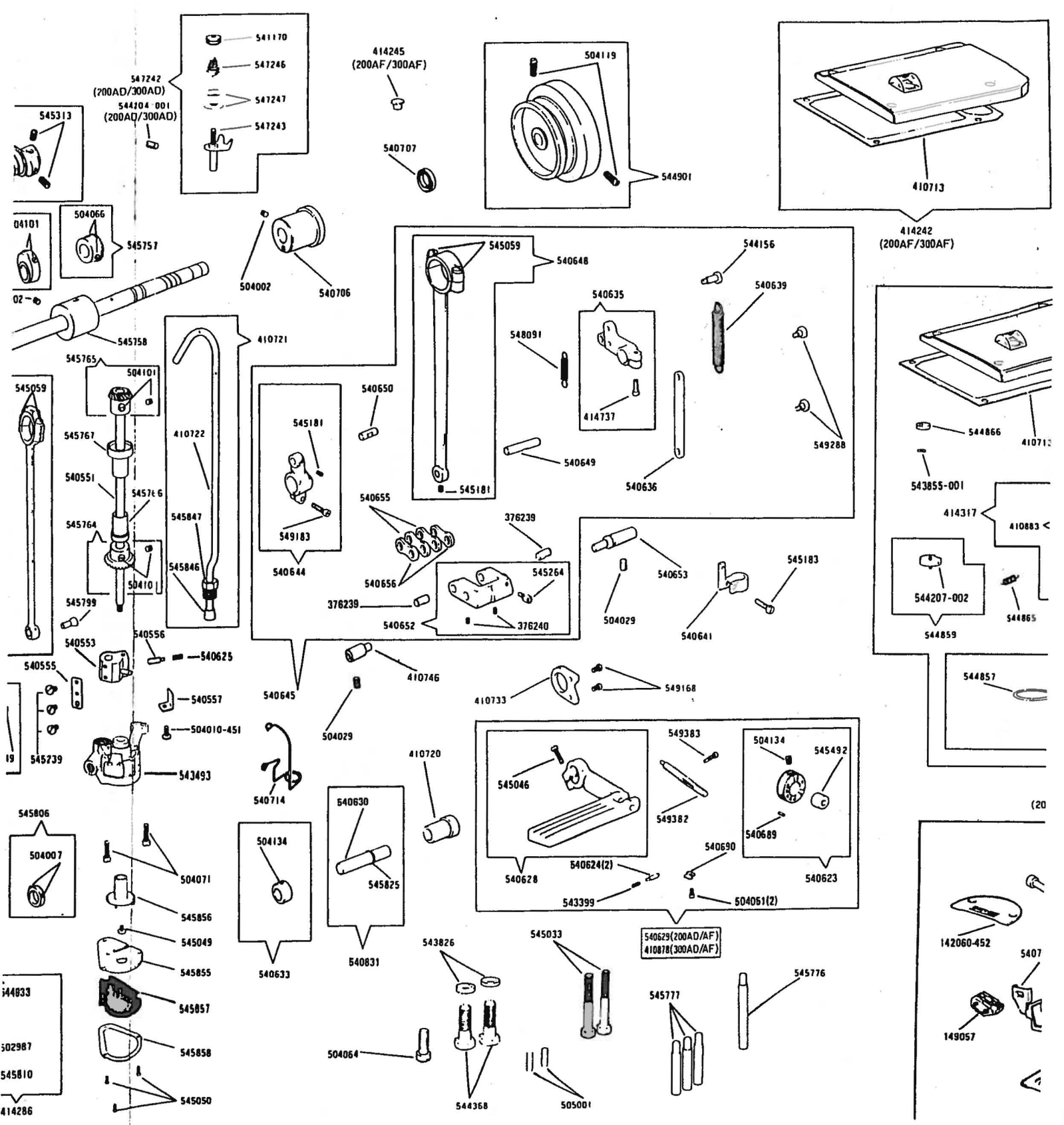
MACHINE PARTS CHART

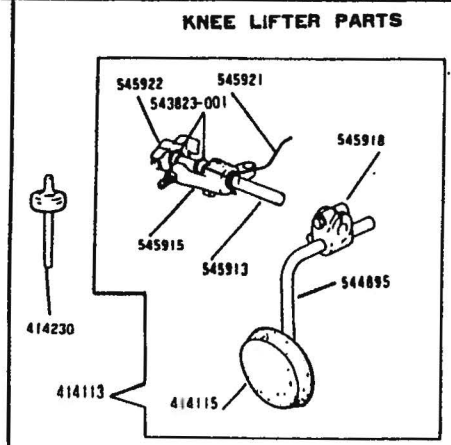
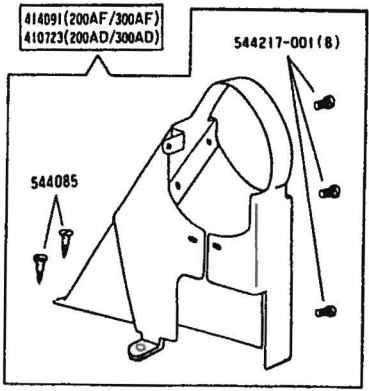
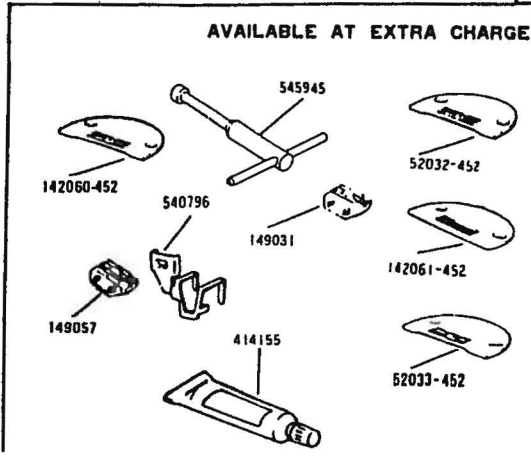
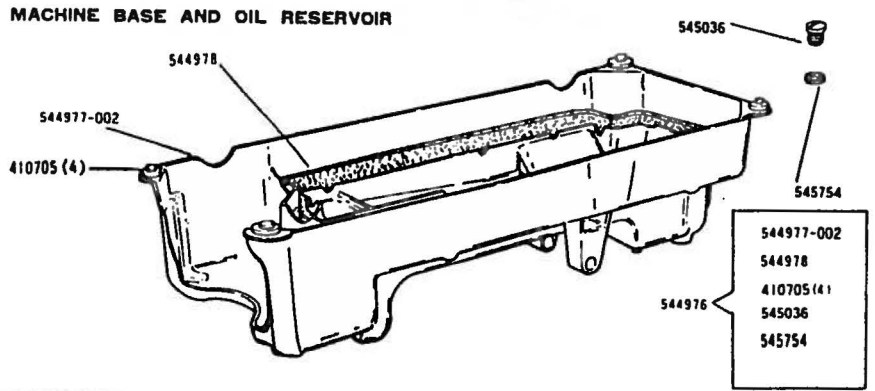
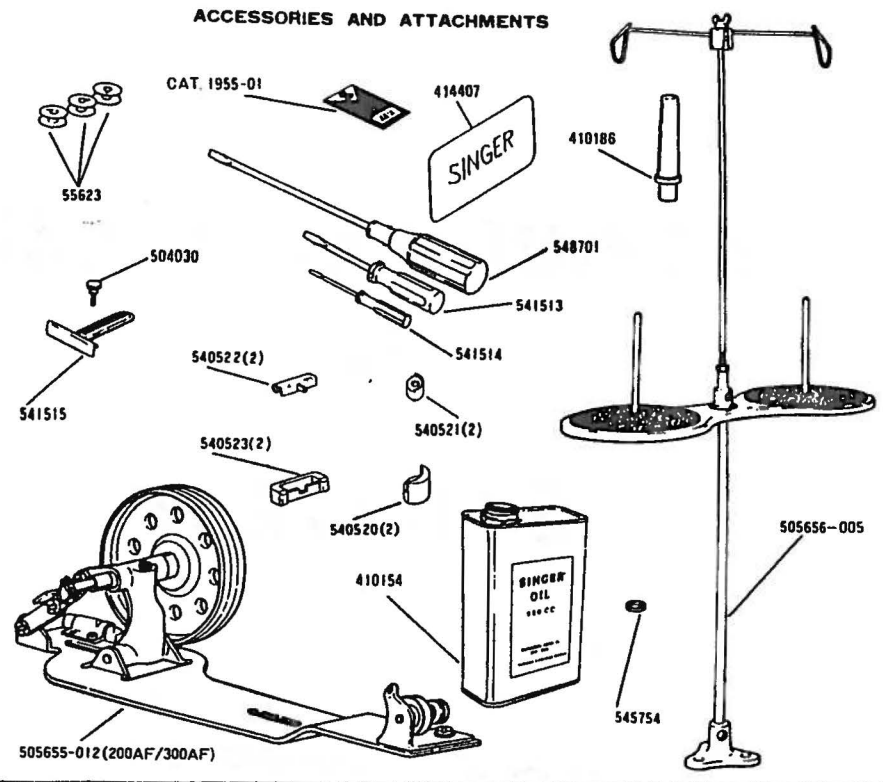
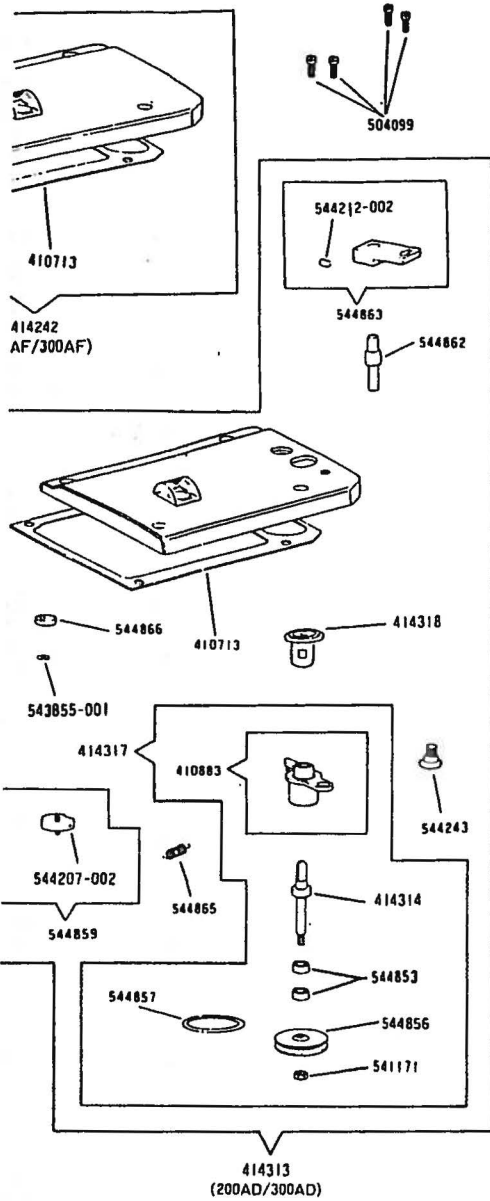
for

SINGER*

591 D200AD/AF
D300AD/AF

* A Trademark of THE SINGER COMPANY
Copyright © 1987 SINGER SEWING MACHINE COMPANY
All Rights Reserved Throughout The World





NUMERICAL LIST OF PARTS FOR MACHINE 591D200AD/AF, D300AD/AF

PART NO.	DESCRIPTION	PART NO.	DESCRIPTION
691-846	Throat Plate Screw (2)	414314	Bobbin Winder Spindle
2102	Tension Disc (2)	414317	Bobbin Winder Complete, Nos. 414314, 410883, 541171, 544856, 544857 and two 544853
12431-452	Bed Slide	414318	Bobbin Winder Spindle Thread Guard
12481	Feed Dog 17 teeth (16 teeth to the inch) (for 300 AD/AF)	414341	Presser Bar Spring
12482-452	Throat Plate (for heavy material sewing) (for 300 AD/AF)	414342	Presser Bar Guide
16380	Oil Removing Lint Screen	414343	Presser Bar Guide and Pressure Regulating Thumb Screw
32758	Thread Take-up Spring	414463	Feed Dog, 21 teeth (22 teeth to the inch) (for 200 AD/AF)
52130	Thread Take-up Lever Thread Eyelet Bushing	414484	Throat Plate (small needle hole) (for 200AD/AF)
52454	Thread Retainer	414737	Feed Reverse Lever Hinge Stud Crank Clamping Screw
56623	Rotating Hook Bobbin	416000	Feed Rock Shaft O-ring
125314	Tension Spring (for 300AD/AF)	502987	Feed Rock Shaft Oil Plug
143042	Rotating Hook Shaft Oil Filter Wick (felt)	504002	Arm Shaft (horizontal) Flanged Bushing (back) Set Screw
143058	Needle Bar Connecting Stud Slide Block	504002	Arm Shaft (horizontal) Bushing (center) Set Screw
148610	Presser Bar Lifting Lever Spring	504002	Arm Shaft (horizontal) Flanged Bushing (front) Set Screw
154781	Presser Bar Lifting Lever Pin Set Screw	504002	Rotating Hook Shaft Bushing (back) Set Screw
154781	Thread Take-up Spring Regulator Set Screw	504002	Rotating Hook Shaft Bushing (front) Set Screw
154789-451	Bed Slide Spring Screw (2)	504002	Thread Take-up Lever Link Hinge Stud Set Screw
154884	Bed Slide Spring	504007	Feed Lifting Rock Shaft Collar Set Screw (4)
154971	Face Plate Screw (3)	504007	Feed Rock Shaft Collar Set Screw (2)
154983	Presser Bar Lifting Lever Connecting Rod Nut (2)	504010-451	Oil Removing Pump Platen Spring Bracket Set Screw
374100	Needle Bar Crank Position Screw	504025	Bell Crank Bracket Set Screw (2)
375234	Bed Hole Plug	504029	Feed Rock Shaft Driving Frame Hinge Pin Set Screw (2)
376217	Rotating Hook Shaft	504047	Tension Stud Set Screw
376218	Rotating Hook Shaft Oil Retaining Collar with two 504134	504051	Feed Regulating Dial Lock Pin Set Screw
376219	Rotating Hook Shaft Balance with two 504134	504051	Feed Dog Screw (2)
376220	Rotating Hook Shaft 376227 with 376218	504051	Feed Regulating Dial Stopper Screw (2)
376227	Rotating Hook Shaft 376217 with 505648	504063-451	Arm Side Shield Screw
376239	Feed Rock Shaft Driving Link (small) Pin (2)	504063-451	Presser Foot Screw
376240	Feed Rock Shaft Driving Link (small) Pin Set Screw (2)	504063-451	Slack Thread Regulator Screw
378288	Feed Bar Connecting Link	504064	Thread Take-up Lever Guard Screw
378334	Feed Bar Complete, Nos. 378288, 378335, 540538, 545791, 545808, 545987 and two 504103	504064	Thread Take-up Lever Oil Guard Screw
378335	Feed Bar Carrier 378336 with 549028 and two 544207-013	504064	Arm Screw (small)
378336	Feed Bar Carrier	504088	Arm Shaft (horizontal) Bevel Gear Set Screw (2)
378352	Arm Shaft (horizontal)	504071	Oil Pump (centrifugal) (body) Screw (2)
378353	Arm Shaft (horizontal) and Needle Bar Crank with 374100, 504095 and 504117	504084	Rotating Hook Bobbin Case Holder Position Bracket Screw
410026	Rotating Hook Bobbin Case Latch	504086	Rotating Hook Bobbin Case Tension Regulating Screw
410027	Rotating Hook Bobbin Case Latch Lever	504087	Rotating Hook Bobbin Case Tension Spring Screw
410713	Arm Top Cover Gasket	504094	Feed Rock Shaft Flanged Bushing (front) Set Screw
410718	Presser Bar Lifting Lever with 154781	504094	Thread Retainer Set Screw
410720	Feed Reverse Lever Hinge Stud Flanged Bushing	504095	Thread Take-up Crank Set Screw
410721	Oil Pipe 410722 with 545846 and 545847	504099	Arm Top Cover Screw (4)
410722	Oil Pipe	504101	Arm Shaft (horizontal) Thrust Collar Set Screw (2)
410725	Presser Bar Lifting Lever Connecting Rod	504101	Arm Shaft (upright) Bevel Gear (lower) Set Screw (2)
410729	Feed and Feed Lifting Eccentric with two 545313	504101	Arm Shaft (upright) Bevel Gear (upper) Set Screw (2)
410733	Feed Regulating Plate	504101	Rotating Hook Shaft Bevel Gear Set Screw (2)
410748	Feed Rock Shaft Driving Frame Hinge Pin (front)	504103	Feed Bar Connecting Link Cap Screw (2)
410774	Arm Side Shield	504112	Needle Set Screw
410806	Feed Lock Shaft Bushing (Intermediate)	504117	Thread Take-up Crank Clamping Screw
410878	Feed Reverse Lever Complete, Nos. 540623, 540625, 540628, 540690, 549382, 549383 two each 504051 and 540824 (for 300AD/AF)	504118	Needle Bar Connecting Link Cap Screw
410883	Bobbin Winder Bearing Housing Complete	504119	Machine Pulley Set Screw (2)
410904	Needle Bar Thread Guard	504122	Arm Shaft (horizontal) Oil Plug Screw (2)
411154	Tension Regulating Thumb Nut Washer	504129	Needle Bar Bushing (lower) Set Screw
414126	Rotating Hook and Rotating Hook Bobbin Case Holder Complete, Nos. 545951 and 414127	504129	Needle Bar Bushing (upper) Set Screw
414127	Rotating Hook Bobbin Case Holder	504129	Presser Bar Bushing (lower) Set Screw
414139	Rotating Hook, Rotating Hook Bobbin Case Holder and Rotating Hook Bobbin Case Complete, Nos. 544745 and 414126	504134	Feed Regulating Dial Set Screw
414242	Arm Top Cover with 410713 (for 200AF/300AF)	504134	Feed Reverse Lever Hinge Stud Collar Set Screw
414245	Bobbin Winder Tension Hole Plug (for 200AF/300AF)	504134	Rotating Hook Shaft Balance Set Screw (2)
414273	Tension Releasing Disc	504145	Rotating Hook Shaft Oil Retaining Collar Set Screw (2)
414274	Tension Complete, Nos. 32758, 411154, 414273, 540682, 540684, 541182, 545898, 546928 and two 2102 (for 200AD/AF)	505001	Oil Removing Tube Retaining Clamp Screw
414275	Tension Complete, Nos. 32758, 125314, 411154, 414273, 540684, 541182, 545898, 546928 and two 2102 (for 300AD/AF)	505011	Arm Dowel Pin (2)
414288	Feed Lifting Rock Shaft Complete, Nos. 544933, 509287 and 545810	505151	Tension Releasing Lever Hinge Pin
414287	Feed Rock Shaft Complete, Nos. 414288, 502987, and 545389	505152	Tension Releasing Lever Spring
414288	Feed Rock Shaft	505317-452	Bed Slide Complete, Nos. 12431-452, 154884 and two 154789-451
414313	Arm Top Cover and Bobbin Winder Complete, Nos. 414317, 414318, 543855-001, 544243, 544848, 544859, 544862, 544883, 544865 and 544866 (for 200AD/300AD)	505356	Rotating Hook Bobbin Case Latch Spring
		505643	Presser Foot (spring hinged) Complete (for 200 AD/AF)
		505647	Rotating Hook Shaft Oil Filter Wick Holder
		505648	Rotating Hook Shaft Oil Filter Complete
		505649	Presser Bar Bushing (lower)
		508562	Thread Guide Stud (for 200AD/300AD)
		540408	Arm Shaft (horizontal) Flanged Bushing (front)
		540450	Needle Bar Connecting Stud 544881 with 143058
		540476	Thread Take-up Crank Bearing Plate

NUMERICAL LIST OF PARTS FOR MACHINE 591D200AD/AF, D300AD/AF

PART NO.	DESCRIPTION	PART NO.	DESCRIPTION
540254	Needle Bar Bushing (lower) (for 200AD/AF)	543387	Thread Take-up Lever Link
540525	Needle Bar Bushing (lower) (for 300AD/AF)	543388	Thread Take-up Lever Link Hinge Stud
540258	Needle Bar Bushing (lower) Felt	543389	Thread Take-up Lever Link Hinge Stud 543388 with 543370
540533	Thread Take-up Spring Regulator O-ring	543370	Thread Take-up Lever Link Hinge Stud Oil Wick (cotton)
540534	Thread Take-up Spring Regulator Rubber Cap	543371	Oil Removing Tube Retaining Clamp
540538	Feed Bar Carrier Oil Wick (felt)	543399	Feed Regulating Dial Lock Pin Spring
540541	Feed Rock Shaft Oil Wick (outer) (cotton)	543416	Thread Take-up Complete, Nos. 540682, 540676, 540678, 543387 and 543369 (for 200AD/AF)
540546	Needle Bar Bushing (lower) 540625 with 545935 (for 300AD/AF)	543417	Thread Take-up Complete, Nos. 540682, 540676, 540688, 543367 and 543369 (for 300AD/AF)
540549	Thread Guard (side of arm)	543419	Presser Foot (spring hinged) Complete (for 300AD/AF)
540551	Arm Shaft (upright)	543465	Bell Crank Complete
540553	Oil Removing Pump (body)	543493	Oil Pump (centrifugal)
540555	Oil Removing Pump Bracket	543828	Arm Screw (front) Washer (2)
540558	Oil Removing Pump Piston	543855-001	Bobbin Winder Stopper Snap Ring
540557	Oil Removing Pump Piston Spring Bracket	544156	Feed Reverse Lever Spring Screw
540581	Oil Removing Tube	544204-001	Bobbin Winder Tension Set Screw (for 200AD/300AD)
540623	Feed Regulating Dial with 504134, 540889 and 545942	544207-002	Bobbin Winder Actuating Cam Set Screw
540824	Feed Regulating Dial Lock Pin (2)	544207-013	Feed Bar Hinge Pin Clamping Screw (2)
540625	Oil Removing Pump Piston Spring	544212-002	Bobbin Winder Stop Latch Set Screw
540628	Feed Reverse Lever with 545046	544243	Bobbin Winder Bracket Screw Stud
540629	Feed Reverse Lever Complete, Nos. 540823, 540825, 540628, 540690, 549382, 549383 two each 504051 and 540624	544244	Rotating Hook Screw (2)
540630	Feed Reverse Lever Hinge Stud	544246	Rotating Hook Oil Flow Regulating Thumb Screw
540631	Feed Reverse Lever Hinge Stud 540630 with 545825	544368	Arm Screw (front) (2)
540633	Feed Reverse Lever Hinge Stud Collar with 504134	544745	Rotating Hook Bobbin Case Complete, Nos. 410026, 410027, 505356 and 544746
540635	Feed Reverse Lever Hinge Stud Crank with 414737	544746	Rotating Hook Bobbin Case with 504086, 504087 and 540767
540636	Feed Reverse Lever Hinge Stud Crank Connecting Link	544782	Arm Shaft (horizontal) Flanged Bushing (front) Oil Tube Cap
540639	Feed Reverse Lever Spring	544782	Arm Shaft (upright) Bevel Gear (upper) Set Screw
540641	Feed Reverse Lever Spring Retainer	544782	Hole Plug
540644	Feed Rock Shaft Crank with 545181 and 549183	544782	Face Plate Plug (small)
540645	Feed Rock Shaft Driving Frame Complete, Nos. 540635, 540638, 540839, 540644, 540648 to 540650, 540652, 544156, 548091 two each 376239, 540655, 540856 and 549288	544853	Bobbin Winder Bearing (2)
540648	Feed Rock Shaft Crank Connecting Rod with 545181 and two 545059	544856	Bobbin Winder Pulley
540649	Feed Rock Shaft Crank Connecting Rod Pin	544857	Bobbin Winder Pulley Ring (rubber)
540650	Feed Rock Shaft Crank Pin	544859	Bobbin Winder Actuating Cam with 544207-002
540652	Feed Rock Shaft Driving Frame with 545284 and two 376240	544862	Bobbin Winder Actuating Cam Stud
540653	Feed Rock Shaft Driving Frame Hinge Pin (back)	544863	Bobbin Winder Stop Latch with 544212-002
540655	Feed Rock Shaft Driving Link (large) (2)	544885	Bobbin Winder Spring
540656	Feed Rock Shaft Driving Link (small) (2)	544886	Bobbin Winder Stopper
540660	Needle Bar Connecting Link	544873-452	Thread Take-up Lever Guard
540661	Needle Bar Connecting Link 540660 with 540450	544874	Face Plate with 544782, 544875 and 544876
540662	Needle Bar Connecting Link Roller Bearing	544875	Face Plate Plug (large)
540662	Thread Take-up Lever Roller Bearing	544876	Face Plate Gasket
540670	Presser Bar Lifting Lever Link	544881	Needle Bar Connecting Stud with 549380
540676	Thread Take-up Lever with 52130	544886	Thread Take-up Crank Clamping Screw Hole Plug
540677	Thread Take-up Crank (for 200AD/AF)	544901	Machine Pulley with two 504119
540678	Thread Take-up Crank 540677 with 504118, 540861 and 540862 (for 200AD/AF)	544933	Feed Lifting Rock Shaft
540682	Tension Spring (for 200AD/AF)	544954	Rotating Hook Shaft Bushing (front)
540684	Tension Releasing Pin	544956	Rotating Hook Shaft Bushing (back)
540685	Thread Take-up Crank (for 300AD/AF)	544957	Rotating Hook Shaft Bushing (back) Oil Felt
540688	Thread Take-up Crank 540685 with 504118, 540681 and 540662 (for 300AD/AF)	544958	Rotating Hook Oil Flow Regulating Thumb Screw Spring
540689	Feed Regulating Dial Pin	544980	Tension Releasing Lever
540690	Feed Regulating Dial Stopper	545033	Arm Screw (back) (2)
540698	Needle Bar (hollow) with 504112 (for 300AD/AF)	545043	Feed Lifting Rock Shaft Crank (front) Clamping Screw
540702	Needle Bar (hollow) with 504112 (for 200AD/AF)	545046	Feed Reverse Lever Clamping Screw
540703	Needle Bar Bushing (upper) Felt	545049	Oil Pump (centrifugal) Impeller Locking Screw
540706	Arm Shaft (horizontal) Flanged Bushing (back)	545050	Oil Pump (centrifugal) Screen Frame Screw (3)
540707	Arm Shaft (horizontal) Flanged Bushing (back) Oil Seal	545051	Oil Wick Holder Screw
540714	Oil Removing Tube Retaining Spring	545053	Presser Bar Lifter Hinge Screw
540719	Oil Pipe Clamping Sleeve Nut	545054	Presser Bar Lifting Lever Hinge Screw
540720	Arm Shaft (horizontal) Flanged Bushing (front) 540408 with Oil Drain Tube and 540722	545059	Feed Lifting Rock Shaft Crank (back) Connecting Rod Cap Screw (2)
540722	Arm Shaft (horizontal) Flanged Bushing (front) Oil Drain Tube Tape	545099	Feed Rock Shaft Crank Connecting Rod Cap Screw (2)
540762	Thread Guide	545181	Presser Bar Guide Bracket Clamping and Tension Release Screw
540767	Rotating Hook Bobbin Case Tension Spring	545181	Feed Rock Shaft Crank Connecting Rod Pin Set Screw
540771	Needle Bar Bushing (lower) Thread Eyelet	545183	Feed Rock Shaft Crank Pin Set Screw
540771	Needle Bar Bushing (lower) Thread Eyelet (for 200AD/AF)	545239	Feed Reverse Lever Spring Retainer Screw
541170	Bobbin Winder Tension Nut	545264	Oil Removing Pump Bracket Set Screw (3)
541171	Bobbin Winder Pulley Lock Nut	545313	Feed Rock Shaft Driving Frame Spring Stud
541182	Tension Regulating Thumb Nut	545492	Feed and Feed Lifting Eccentric Set Screw (2)
543363	Oil Wick Holder and Pipe (for 200AD/AF)	545757	Feed Regulating Nut
543364	Oil Wick Holder and Pipe (for 300AD/AF)	545758	Arm Shaft (horizontal) Bevel Gear with two 504066
543365	Oil Wick Holder Complete (for 200AD/AF)	545762	Arm Shaft (horizontal) Bushing (center)
543366	Oil Wick Holder Complete (for 300AD/AF)		Arm Shaft (horizontal) Thrust Collar with two 504101

NUMERICAL LIST OF PARTS FOR MACHINE 591D200AD/AF, D300AD/AF

PART NO.	DESCRIPTION
545764	Arm Shaft (upright) Bevel Gear (lower) Right Hand Spiral with two 504101
545785	Arm Shaft (upright) Bevel Gear (upper) Left Hand Spiral with two 504101
545786	Arm Shaft (upright) Bushing (lower)
545767	Arm Shaft (upright) Bushing (upper)
545776	Bed Leg (long)
545777	Bed Leg (short) (3)
545791	Feed Bar Hinge Pin
545799	Feed Lifting Rock Shaft Crank (back) Connecting Rod Hinge Stud
545806	Feed Lifting Rock Shaft Collar with two 504007 (2)
545807	Feed Lifting Rock Shaft Crank (back) with two 549183
545808	Feed Lifting Rock Shaft Crank (front) with 545043
545812	Feed Lifting Rock Shaft Crank (back) Connecting Rod with two 545059
545825	Feed Reverse Lever Hinge Stud O-ring
545838	Feed Rock Shaft Flanged Bushing (front)
545837	Feed Rock Shaft Collar with two 504007
545839	Feed Rock Shaft Oil Wick (cotton)
545841	Needle Bar Bushing (upper)
545846	Oil Pipe
545846	Oil Pipe Clamping Sleeve
545847	Oil Pipe Clamping Sleeve Nut
545849	Oil Pipe Clamping Sleeve
545852	Oil Pipe 545846 with 540719 and 545849
545855	Oil Pump (centrifugal) Cover
545858	Oil Pump (centrifugal) Impeller
545857	Oil Pump (centrifugal) Screen
545858	Oil Pump (centrifugal) Screen Frame
545864	Presser Bar (hollow)
545868	Presser Bar Lifter
545872	Presser Bar Lifting Lever Connecting Rod Oil Mist Retaining Disc (felt)
545873	Presser Bar Lifting Lever Connecting Rod Swivel
545875	Presser Bar Lifting Lever Pin
545881	Rotating Hook Bobbin Case Holder Position Bracket
545887	Rotating Hook Shaft Bevel Gear (left hand spiral) with two 504101
545892	Slack Thread Regulator
545898	Tension Stud
545901	Thread Eyelet (side of arm)
545908	Thread Take-up Lever Oil Guard with 545909
545909	Thread Take-up Lever Oil Guard Wick (cotton)
545909	Oil Wick (cotton) (2)
545935	Needle Bar Bushing (lower) Thread Eyelet (for 300 AD/AF)
545949	Feed Lifting Rock Shaft Flanged Bushing (2)
545949	Feed Rock Shaft Flanged Bushing (back)
545950	Rotating Hook (body) with two 544244
545951	Rotating Hook Complete, Nos. 545950, 545954, 545955, three 549187 and four 549188
545954	Rotating Hooks Section
545955	Rotating Hook Thread Guard
545983	Presser Bar Guide Bracket with 545099
545987	Feed Bar
546927	Thread Take-up Spring Regulator with 504047
546928	Thread Take-up Spring Regulator 546927 with 540533 and 540534
546933	Needle Bar Bushing (lower) 540524 with 540771 (for 200AD/AF)
547242	Bobbin Winder Tension Complete, Nos. 547243, 547246, 541170 and two 547247 (for 200AD/ 300AD)
547243	Bobbin Winder Tension Stud
547246	Bobbin Winder Tension Spring
547247	Bobbin Winder Tension Disc (2)
548091	Feed Rock Shaft Driving Frame Pull Back Spring
548970	Presser Bar Lifting Lever Pin Spring
549028	Feed Bar Carrier Clamping Screw (2)
549128	Thread Eyelet (side of arm) Screw
549168	Feed Regulating Plate Screw (2)
549183	Feed Lifting Rock Shaft Crank (hack) Clamping Screw (2)
549183	Feed Rock Shaft Crank Clamping Screw
549186	Rotating Hook Thread Guard Screw (4)
549187	Rotating Hook Section Screw (3)
549288	Feed Reverse Lever Hinge Stud Crank Connecting Link Screw (2)
549336	Thread Guard (side of arm) Screw
549380	Needle Bar Connecting Stud Clamping Screw
549382	Feed Regulating Screw
549383	Feed Regulating Screw Guide Screw
CAT.1955-01	Needle (135 x 65 #14) (for 200AD/AF)
CAT.1955-01	Needle (135 x 65 #16) (for 300AD/AF)

PART NO.	DESCRIPTION
ACCESSORIES AND ATTACHMENTS	
55623	Rotating Hook Bobbin (3)
376214	Machine Base and Oil Reservoir Cushion (back) with two Wire Nail (2)
378215	Machine Base and Oil Reservoir Cushion (front) with two Wire Nail (2)
410154	Oil Can (750cc, filled with Singer Type "C" oil)
410186	Machine Rest Pin
414407	Machine Cover
504030	Cloth Guide Screw
505655-012	Universal Bobbin Winder Complete (for 200AF/ 300AF)
505856-005	Thread Unwinder (for two spools) Complete, with three Wood Screw
540522	Machine Hinge Connection (2)
540523	Machine Hinge Connection Cushion (2)
541513	Screw Driver (large)
541514	Screw Driver (small)
541515	Cloth Guide
545754	Machine Base and Oil Reservoir Oil Drain Plug Screw Gasket
548701	Screw Driver (long)
CAT.1955-01	Needle (135 x 65 #14) (for 200AD/AF)
CAT.1955-01	Needle (135 x 65 #16) (for 300AD/AF)
MACHINE BASE AND OIL RESERVOIR	
376216	Machine Rest (rubber) (4)
544978	Machine Base and Oil Reservoir Complete, Nos. 544977-002, 544978, 545036, 545754 and four 376216
544977-002	Machine Base and Oil Reservoir
544978	Machine Base and Oil Reservoir Gasket
545038	Machine Base and Oil Reservoir Oil Drain Plug Screw
545754	Machine Base and Oil Reservoir Oil Drain Plug Screw Gasket
KNEE LIFTER PARTS	
414113	Rock Shaft Complete, Nos. 414115, 545913, 545915, 544895, 545918, 545921, 545922 and two 543823-001
414115	Rock Shaft Knee Arm Plate
414230	Bell Crank Plunger
543823-001	Rock Shaft Thrust Washer (2)
544895	Rock Shaft Knee Arm
545913	Rock Shaft
545915	Rock Shaft Crank
545918	Rock Shaft Knee Arm Hub
545921	Rock Shaft Spring
545922	Rock Shaft Stop Dog
AVAILABLE AT EXTRA CHARGE	
52032-452	Throat Plate (large needle hole) (for 149031)
52033-452	Throat Plate (small needle hole) (for 149031)
142080-452	Throat Plate (small needle hole) (for 149057)
142061-452	Throat Plate (large needle hole) (for 149057)
149031	Feed Dog, 19 teeth (22 teeth to the inch)
149057	Feed Dog, 19 teeth (22 teeth to the inch)
410723	Belt Guard with two 544085 and eight 544217-001 (for 200AD/300AD)
414091	Belt Guard with two 544085 and eight 544217-001 (for 200AF/300AF)
414155*	Seal Compound
540796	Needle Guard
544085	Belt Guard (lower) Wood Screw (2)
544217-001	Belt Guard Screw (4)
544217-001	Belt Guard Plate Screw (4)
545945	Box Wrench
* Note: Some bushes, etc. are assembled using liquid gasket material. Three Bond 1104 or equivalent.	